



Meaningful Innovation.

WEEE Number: 80133970

INSTRUCTION MANUAL

LED FLOOD LIGHT

TECHNICAL DATA

MODEL	VT-44030CCT	VT-44050CCT	VT-44100CCT
SKU	23613	23614	23615
POWER	30W	50W	100W
LUMENS (@WIDECONE)	2350 Lm	4000 Lm	8150 Lm
INPUT VOLTAGE	AC: 220-240V, 50/60Hz		
DF	≥0.9		
CRI	≥80		
LIFE SPAN	25,000 Hours		
ON/OFF CYCLE	10,000 Times		
BEAM ANGLE	90°		
OPERATION TEMPERATURE	-20°C to +40°C		
BODY TYPE	Aluminium		
MAX.MOUNTING HEIGHT	<5 M		
WIRE LENGTH	0.15 M		
NET WEIGHT	315g	418g	775g
PROJECTED AREA (m ²)	12-34	18.5-50.5	38-103
DIMENSION	176x26x171mm	209x26x194mm	274x26x262 mm



3 IN 1
CCT

RLED
REPLACEABLE LIGHT ENGINE

02 YEAR
WARRANTY*

IP65
RATING



FR
Cet appareil,
ses accessoires
et cordons
se recyclent



À DÉPOSER
EN MAGASIN

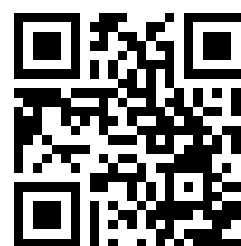


À DÉPOSER
EN DÉCHÈTERIE

Points de collecte sur www.quefairedemesdechets.fr
Privilégiez la réparation ou le don de votre appareil !

INTRODUCTION & WARRANTY

Thank you for selecting and buying V-TAC product. V-TAC will serve you the best. Please read these instructions carefully before starting the installation and keep this manual handy for future reference. If you have any another query, please contact our dealer or local vendor from whom you have purchased the product. They are trained and ready to serve you at the best. The warranty is valid for 2 years from the date of purchase. The warranty does not apply to damage caused by incorrect installation or abnormal wear and tear. The company gives no warranty against damage to any surface due to incorrect removal and installation of the product. The products are suitable for 10-12 Hours Daily operation. Usage of product for 24 Hours a day would void the warranty. This product is warranted for manufacturing defects only.

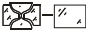
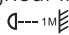


**MULTI-LANGUAGE
MANUAL QR CODE**

Please scan the QR code
to access the manual in
multiple languages.

IN CASE OF ANY QUERY/ISSUE WITH THE PRODUCT, PLEASE REACH OUT TO US AT: SUPPORT@V-TAC.EU
FOR MORE PRODUCTS RANGE, INQUIRY PLEASE CONTACT OUR DISTRIBUTOR OR NEAREST DEALERS.
V-TAC EUROPE LTD. BULGARIA, PLOVDIV 4000, BUL.L.KARAVELOW 9B

WARNING

1. Please make sure to turn off the power before starting the installation.
2. Installation must be performed by a qualified electrician.
3. If the external flexible cable or cord of this luminaire is damaged, it shall be exclusively replaced by the manufacturer or his service agent or a similar qualified person in order to avoid a hazard.
4. Replace any cracked protective shield. 
5. Terminal block not included.
6. Proper grounding should be ensured throughout the installation.
7. Minimum distance from lighted objects 1m. 
8. For outdoor use

NOTE: To reduce the risk of strangulation the flexible wiring connected to this luminaire shall be effectively fixed to the wall if the wiring is within arm's reach.

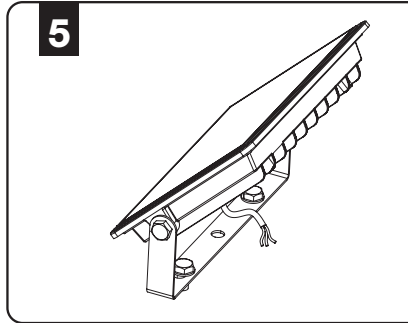
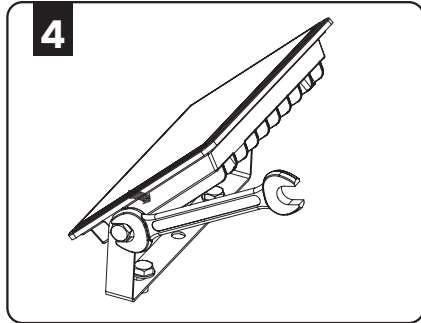
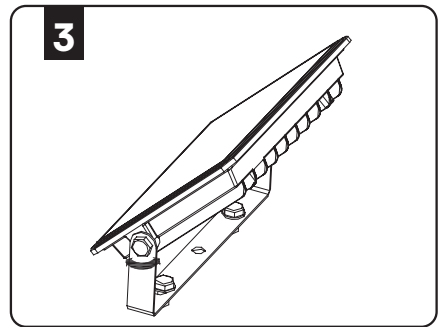
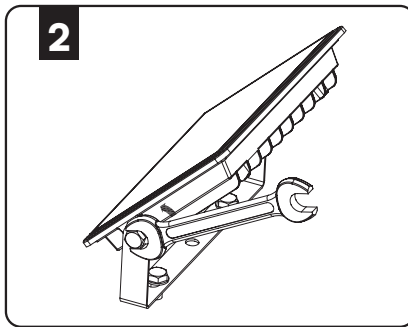
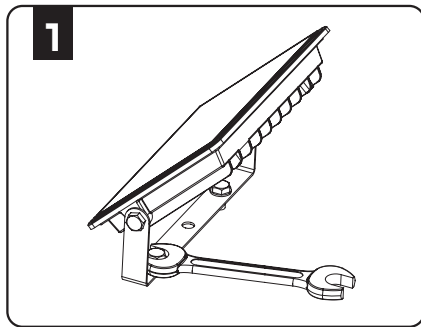


This marking indicates that this product should not be disposed of with other household wastes.



Caution, risk of electric shock.

INSTALLATION DIAGRAM



Brown — L
Blue — N
Yellow green — \ominus



INSTALLATION INSTRUCTION

Strictly follow these instructions for installing, avoid the intensity of power cable during installing. (Supply connection and other external wiring conductor shall be at least 3*1.0 mm² and confirm to 60245IEC57)

1. Turn off the power.
2. Installing the brackets.
3. Loosening the bolts on both sides of the bracket.
4. Adjusting the flooding Angle of the flood light.
5. Tightening the bolts on both sides of the bracket.
6. Connecting the wiring of the flood light as per the diagram.
7. Turning on the power to make sure the light is working.

RoHS



UK
CA

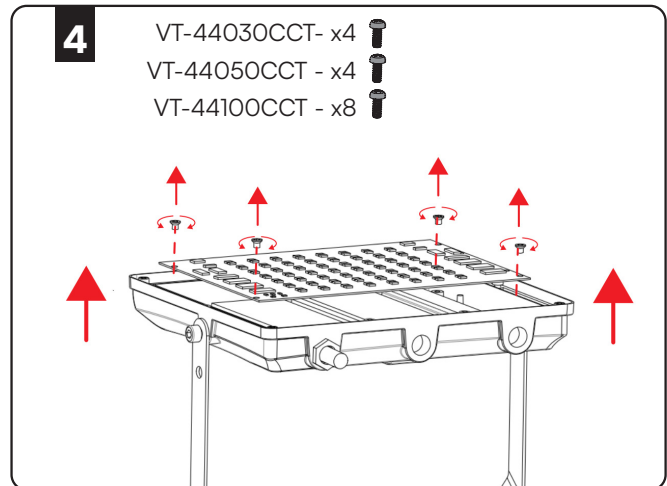
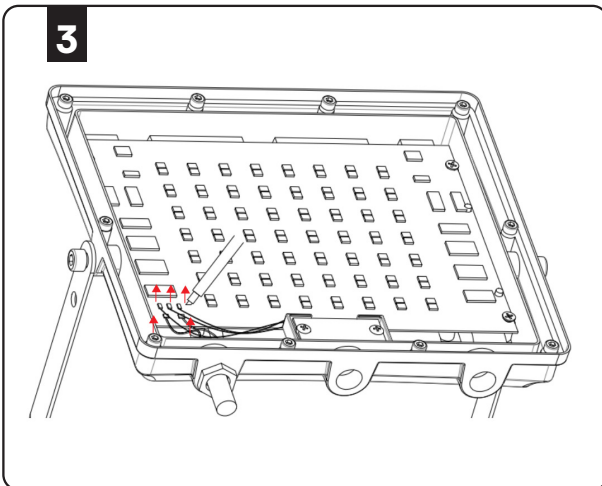
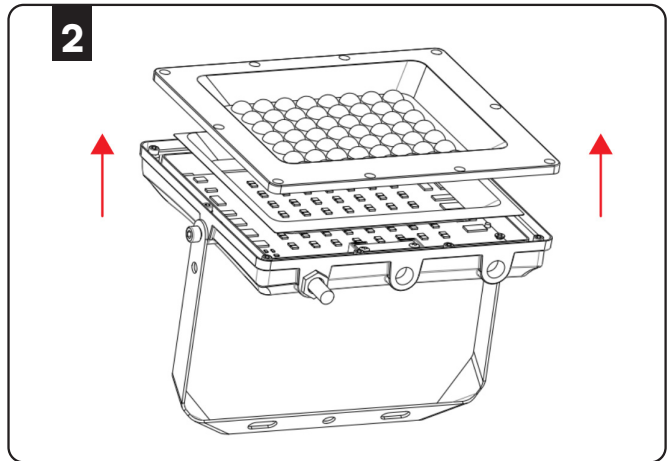
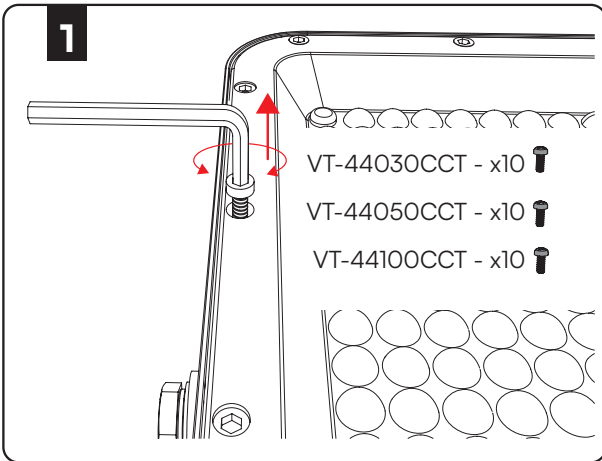
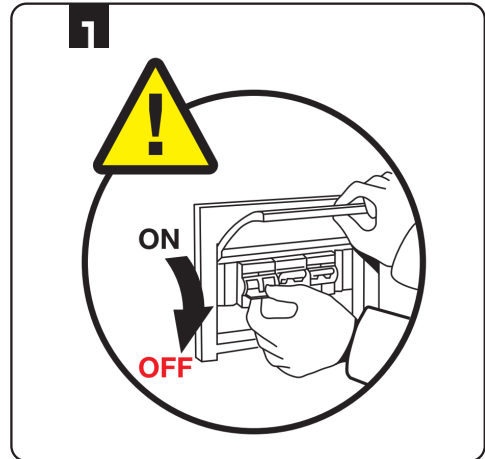
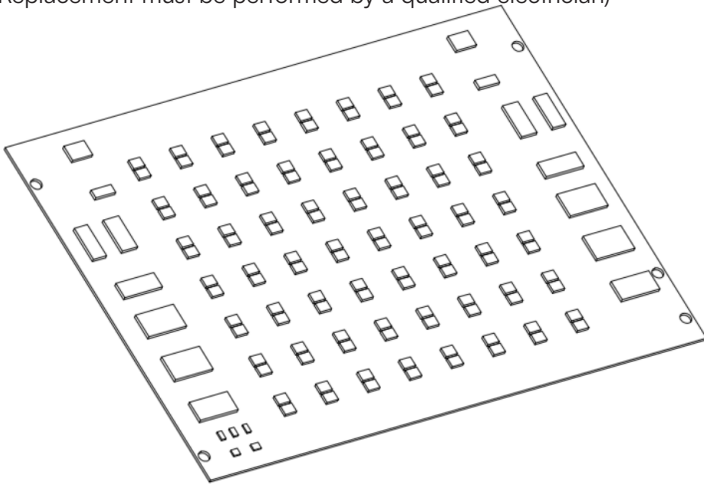


Not Dimmable



LED REPLACEMENT INSTRUCTIONS

(Replacement must be performed by a qualified electrician)



NOTE: LED replacement applicable only if within the warranty period.