

INSTALLATION INSTRUCTION

LED WATERPROOF FITTINGS (MILKY COVER) WITH EMERGENCY KIT



TECHNICAL DATA:

MODEL	WATTS	LUMENS	CRI	DF	BEAM ANGLE	DIMENSION	INPUT POWER	L1	MAX CONNECTABLE UNITS
VT-120036E	36W	4320LM	>80	>0.9	120°	1200x72x78mm	AC: 200-240V, 50/60Hz	830+40mm	10 UNITS
VT-150048E	48W	5760LM	>80	>0.9	120°	1500x72x78mm	AC: 200-240V, 50/60Hz	1090+40mm	8 UNITS

TECHNICAL DATA: EMERGENCY KIT

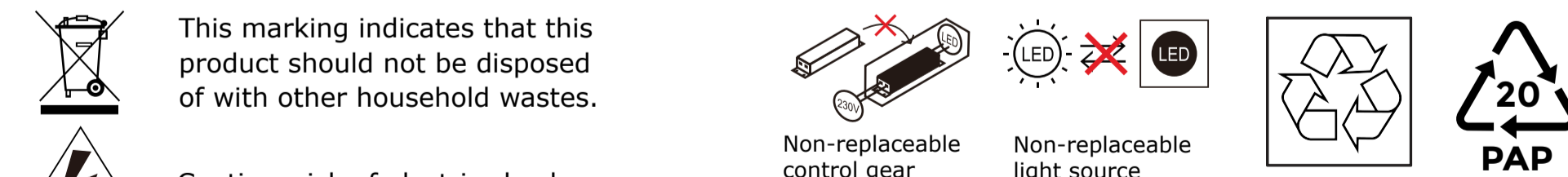
EMERGENCY POWER	BATTERY TYPE	CHARGING TIME	WORKING TIME	CHARGE RECHARGE	AMBIENT TEMPERATURE (ta)
6-7W	9.6V 2200mAh Ni-Cd battery	24 Hours	3 Hours	500 TIMES	0-50°C

INTRODUCTION & WARRANTY

Thank you for selecting and buying V-TAC product. V-TAC will serve you the best. Please read these instructions carefully before starting the installation and keep this manual handy for future reference. If you have any other query, please contact our dealer or local vendor from whom you have purchased the product. They are trained and ready to serve you at the best. The warranty is valid for 3 years from the date of purchase. The warranty does not apply to damage caused by incorrect installation or abnormal wear and tear. The company gives no warranty against damage to any surface due to incorrect removal and installation of the product. The products are suitable for 10-12 Hours Daily operation. Usage of product for 24 Hours a day would void the warranty. This product is warranted for manufacturing defects only.

WARNING!

1. Please make sure to turn off the power before starting the installation.
2. Installation must be performed by a qualified electrician.
3. The light source of this luminaire is not replaceable, when the light source reaches its end of life the whole luminaire should be replaced.
4. If the external flexible cable or cord of this luminaire is damaged, it shall be exclusively replaced by the manufacturer or his service agent or a similar qualified person in order to avoid a hazard.
5. The luminaire is designed with an emergency kit with a replaceable battery. If the battery no longer meets their rated duration of operation after corresponding recharge period the battery/emergency kit should be replaced by the manufacturer or his service agent or a similar qualified person in order to avoid a hazard.



CAUTION:

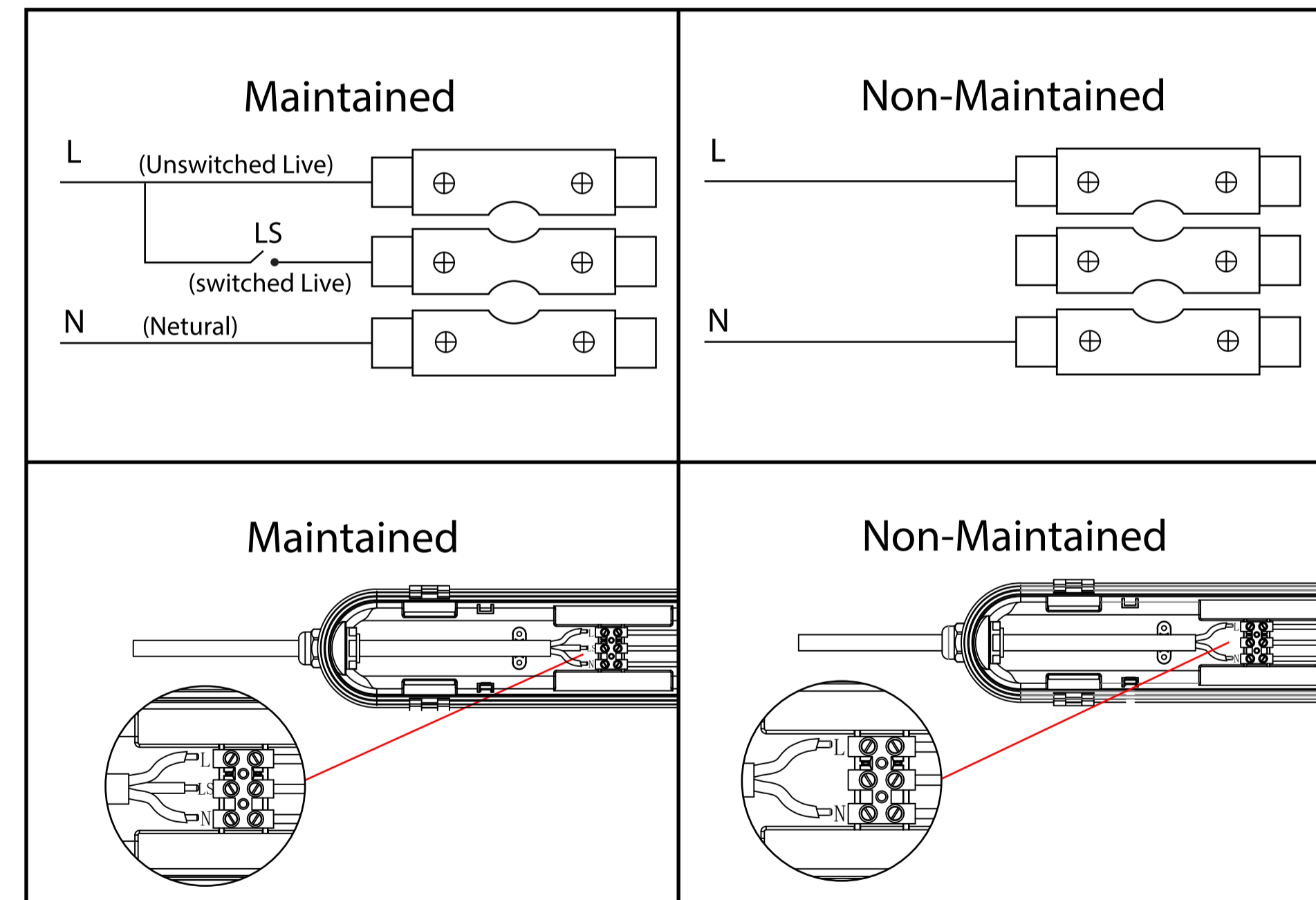
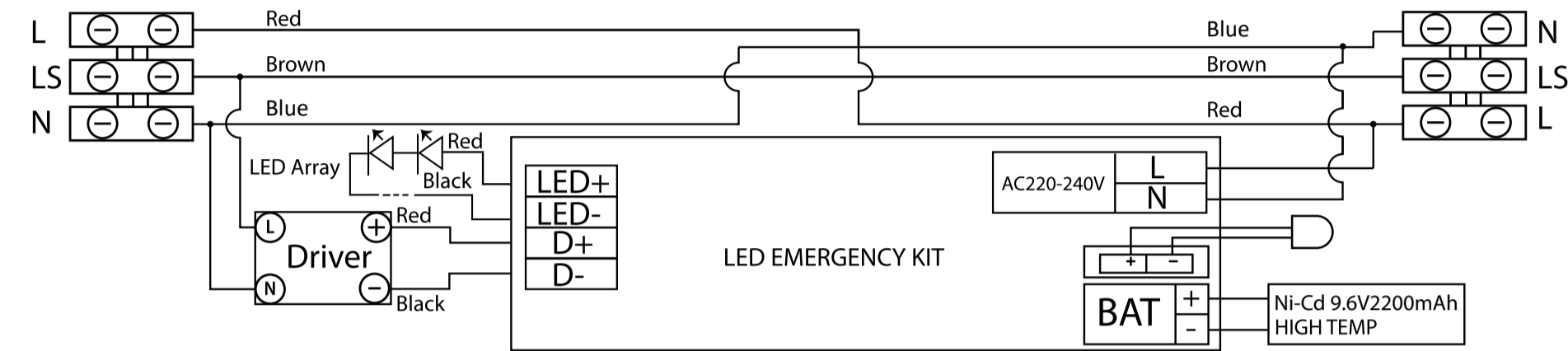
1. Battery is in an empty state, please ensure to charge more than 36hours before using.
2. Power connected but light does not work, please check whether the light is properly connected to the mains.
3. Please strictly use the emergency kit according to the wiring diagram before connection and pay attention to reverse connection.



MULTI-LANGUAGE
MANUAL QR CODE

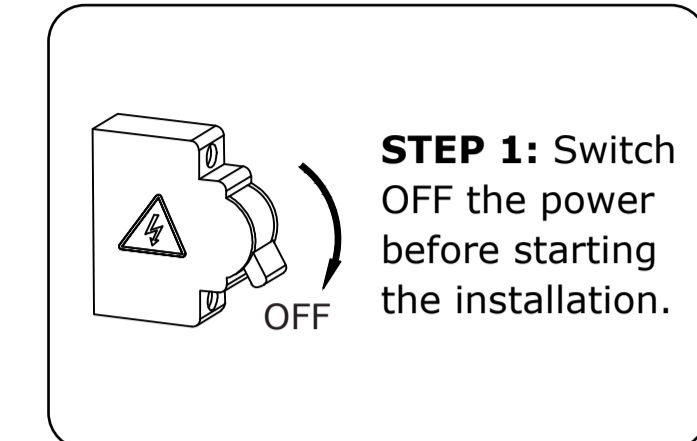
Please scan the QR code to access the manual in multiple languages.

EMERGENCY WIRING DIAGRAM:

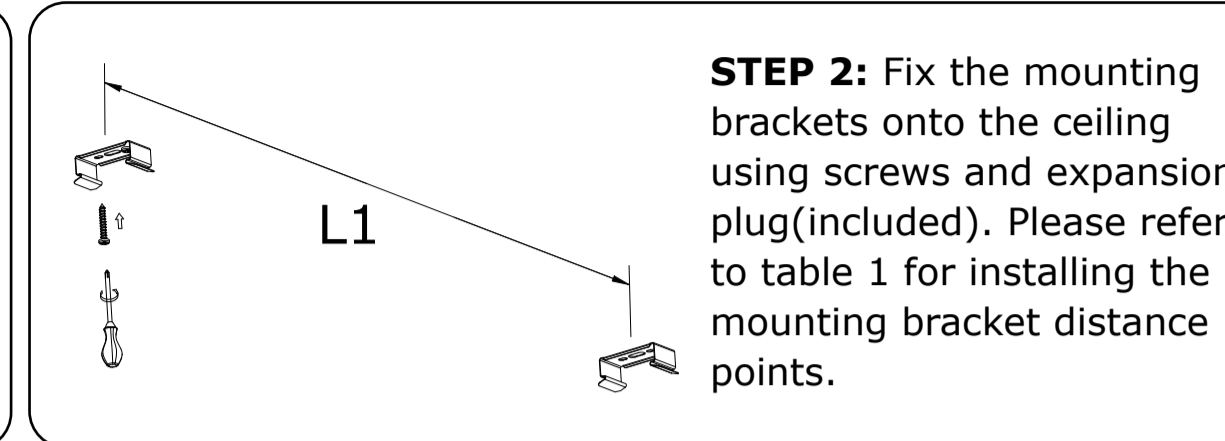


IN CASE OF ANY QUERY/ISSUE WITH THE PRODUCT, PLEASE REACH OUT TO US AT: SUPPORT@V-TAC.EU
FOR MORE PRODUCTS RANGE, INQUIRY PLEASE CONTACT OUR DISTRIBUTOR OR NEAREST
DEALERS. V-TAC EUROPE LTD. BULGARIA, PLOVDIV 4000, BUL.L.KARAVELOW 9B

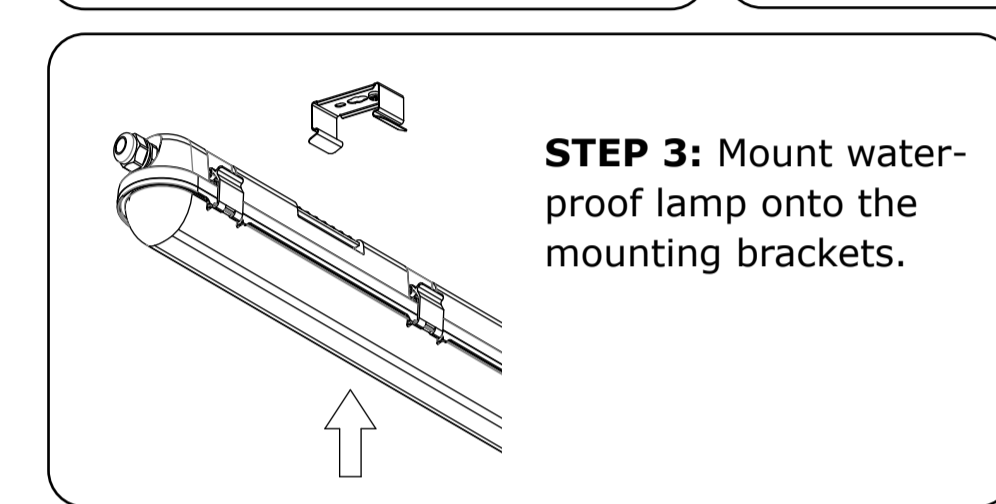
SINGLE UNIT INSTALLATION INSTRUCTIONS



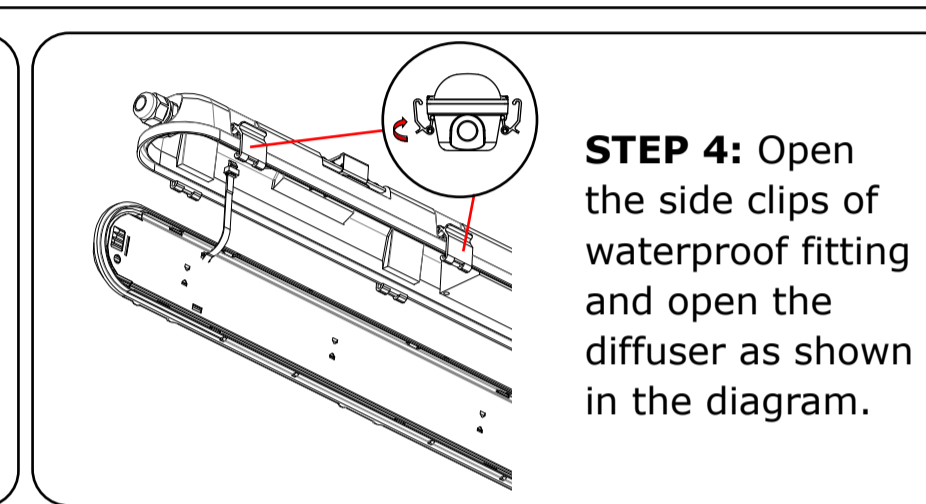
STEP 1: Switch OFF the power before starting the installation.



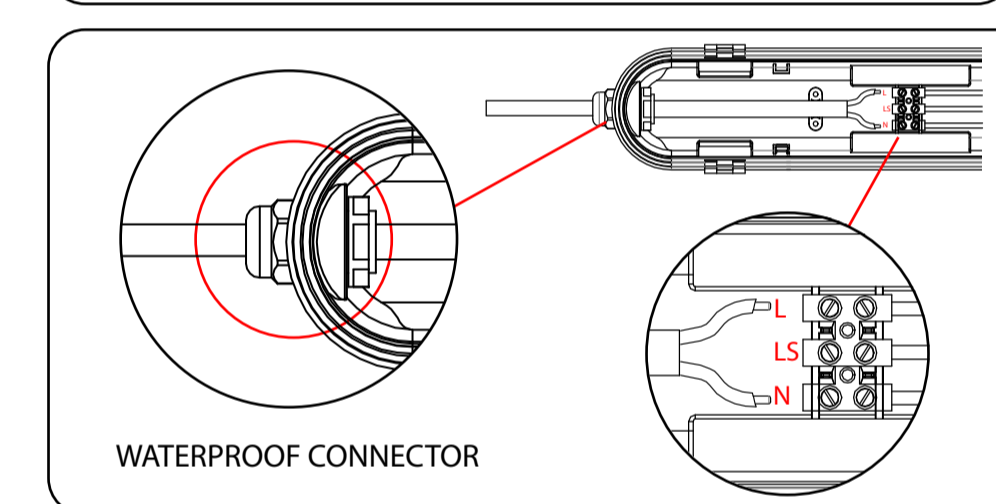
STEP 2: Fix the mounting brackets onto the ceiling using screws and expansion plug(included). Please refer to table 1 for installing the mounting bracket distance points.



STEP 3: Mount waterproof lamp onto the mounting brackets.

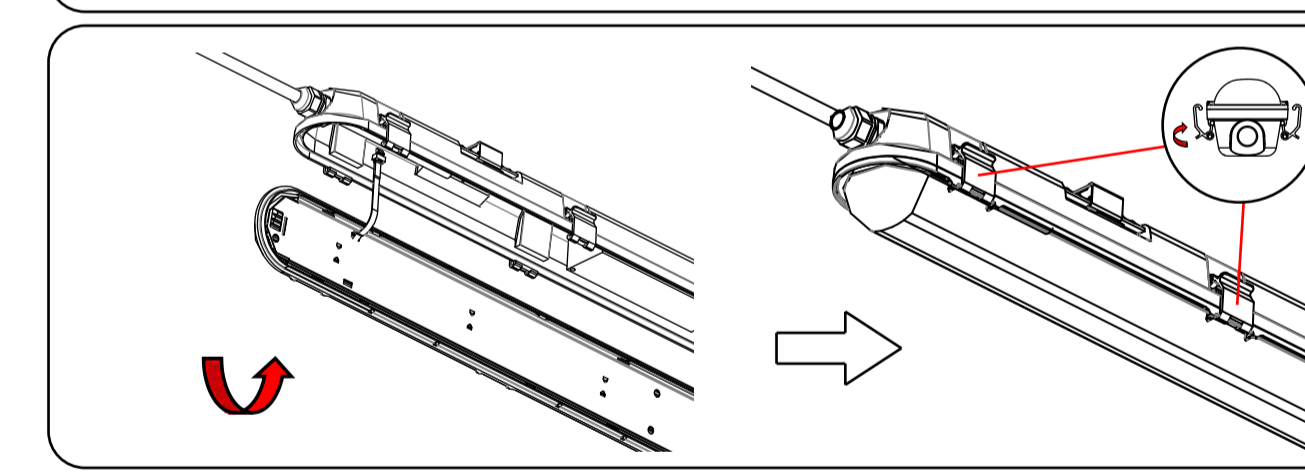


STEP 4: Open the side clips of waterproof fitting and open the diffuser as shown in the diagram.

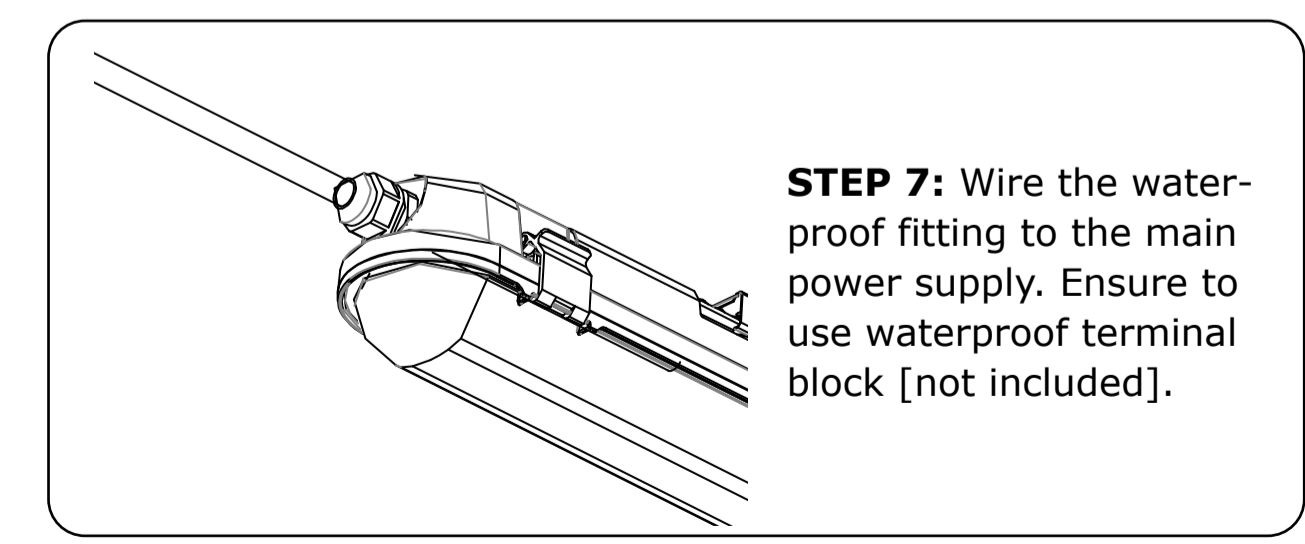


STEP 5: Fasten the waterproof connector clockwise. Insert the cable through the waterproof connector and wire it into the terminal block.

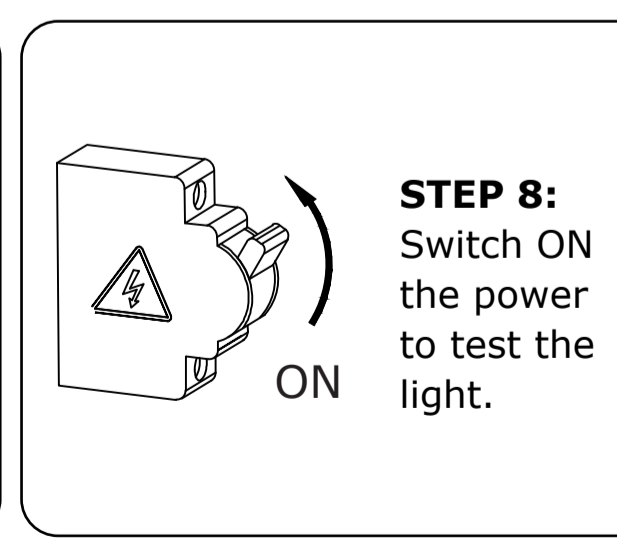
Note: For Maintained and Non-Maintained wiring please refer to the wiring diagram.



STEP 6: Install the diffuser to the waterproof fitting and close the clips.



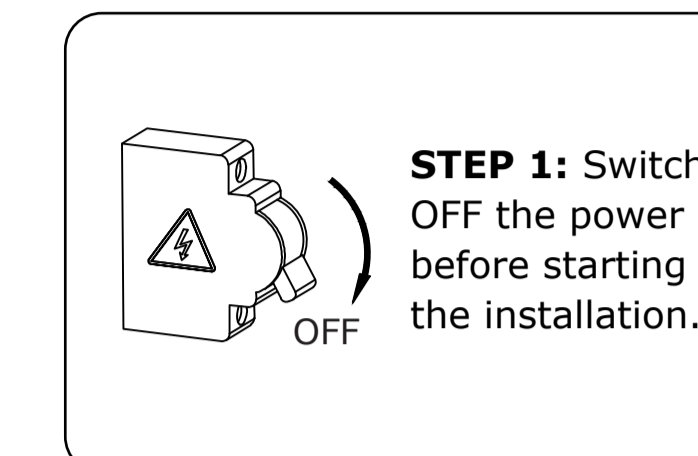
STEP 7: Wire the waterproof fitting to the main power supply. Ensure to use waterproof terminal block [not included].



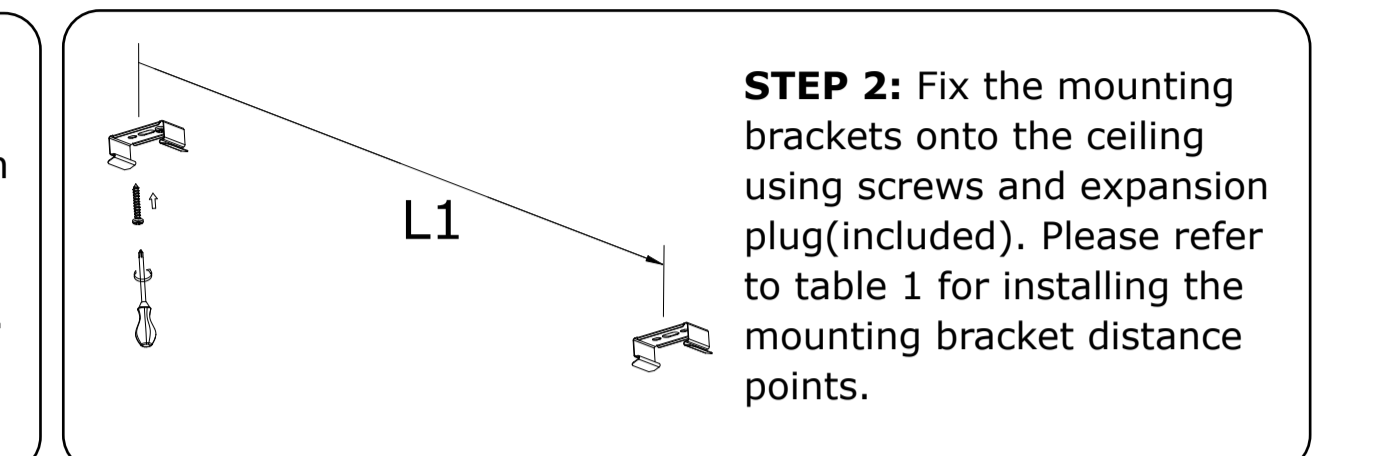
STEP 8: Switch ON the power to test the light.

MULTIPLE (LINKABLE) UNITS INSTALLATION INSTRUCTIONS

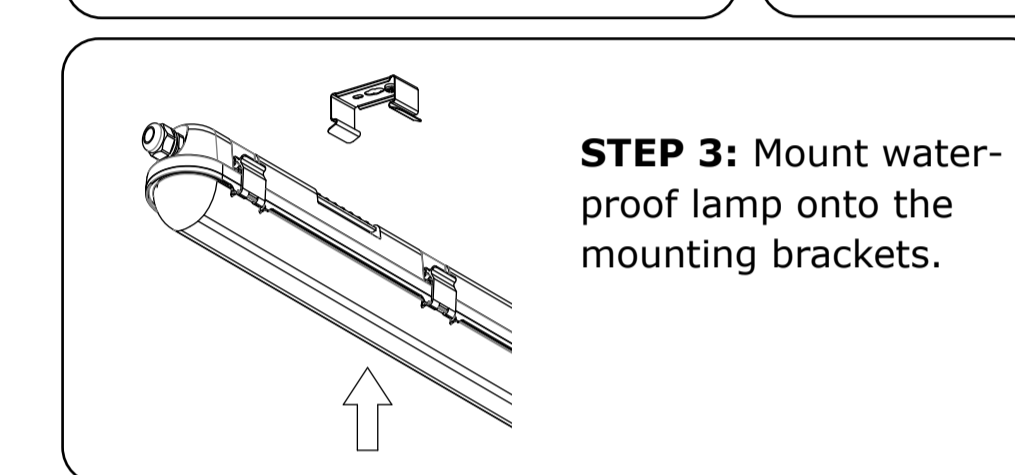
Note: Please refer to the model number and max linkable units which can be linked together. Based on the max linkable units select the max waterproof fittings which you would like to connect.



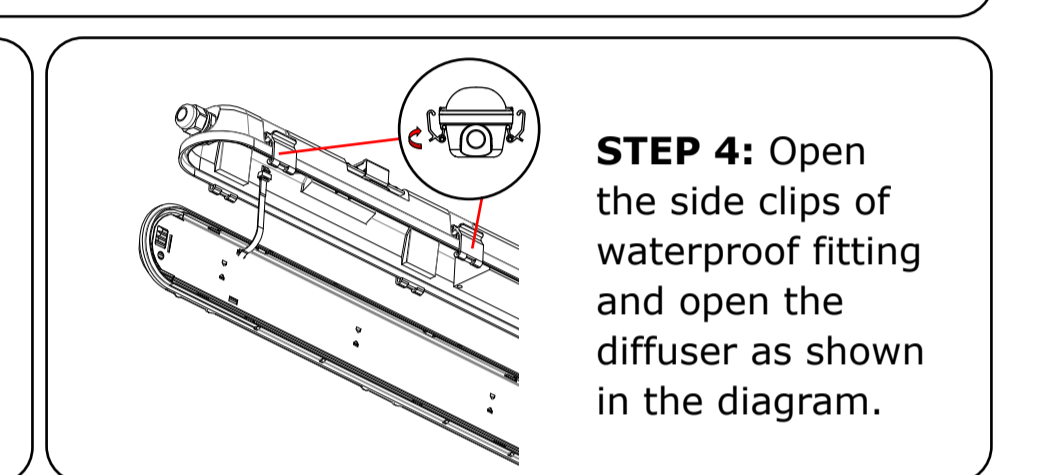
STEP 1: Switch OFF the power before starting the installation.



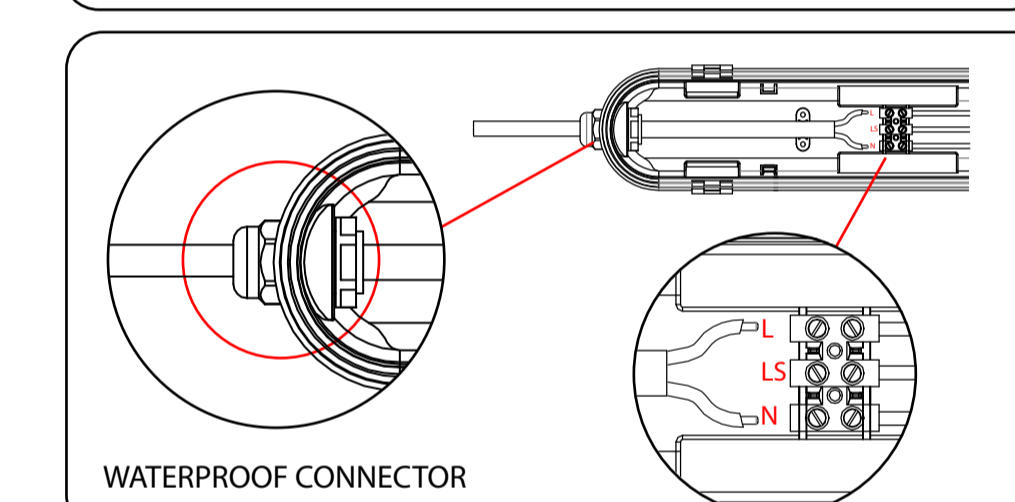
STEP 2: Fix the mounting brackets onto the ceiling using screws and expansion plug(included). Please refer to table 1 for installing the mounting bracket distance points.



STEP 3: Mount waterproof lamp onto the mounting brackets.

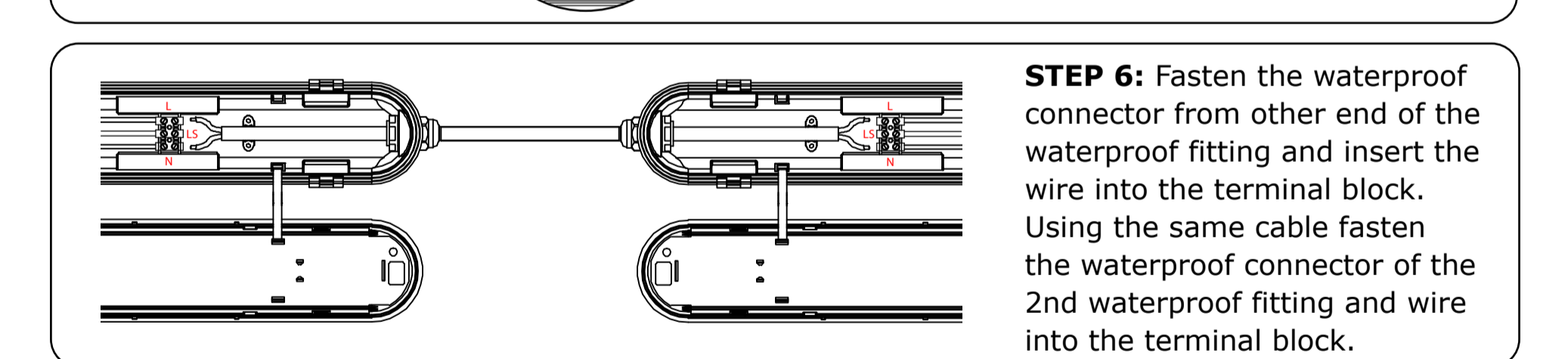


STEP 4: Open the side clips of waterproof fitting and open the diffuser as shown in the diagram.

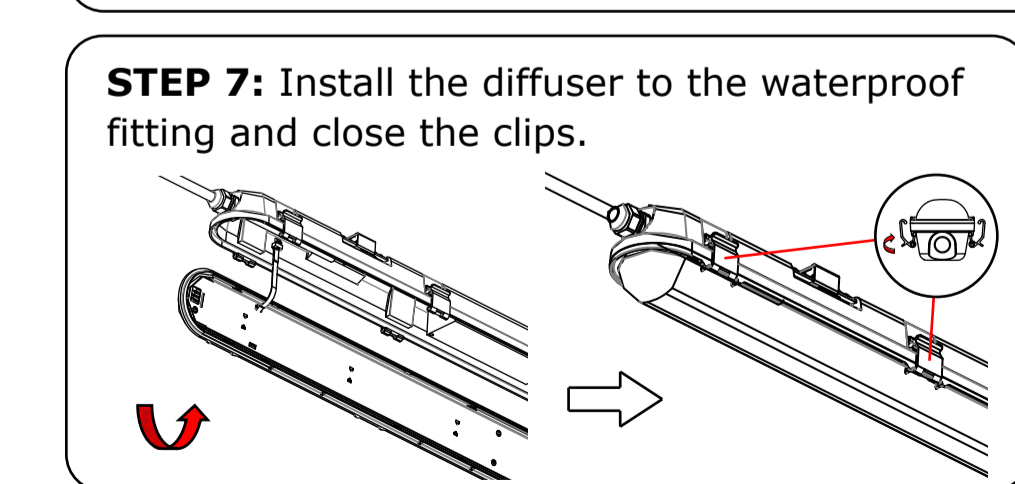


STEP 5: Wiring 1st waterproof fitting from both the ends - Fasten the waterproof connector clockwise from the first end and insert the cable through the waterproof connector and wire into the terminal block from one end.

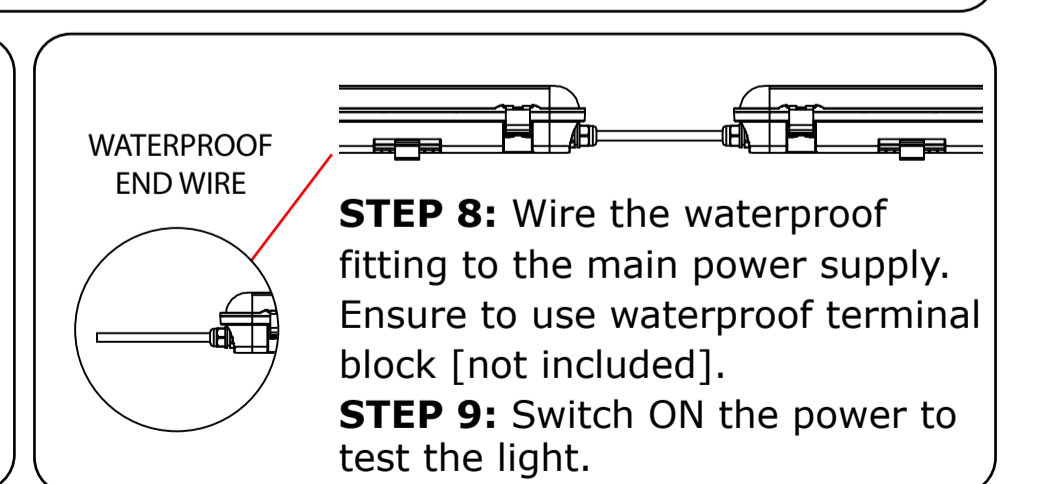
Note: For Maintained and Non-Maintained wiring please refer to the wiring diagram.



STEP 6: Fasten the waterproof connector from other end of the waterproof fitting and insert the wire into the terminal block. Using the same cable fasten the waterproof connector of the 2nd waterproof fitting and wire into the terminal block.



STEP 7: Install the diffuser to the waterproof fitting and close the clips.



STEP 8: Wire the waterproof fitting to the main power supply. Ensure to use waterproof terminal block [not included].
STEP 9: Switch ON the power to test the light.