



RGB AMPLIFIER

Model Number: VT-2407

SKU: 3309

PRODUCT DESCRIPTION:

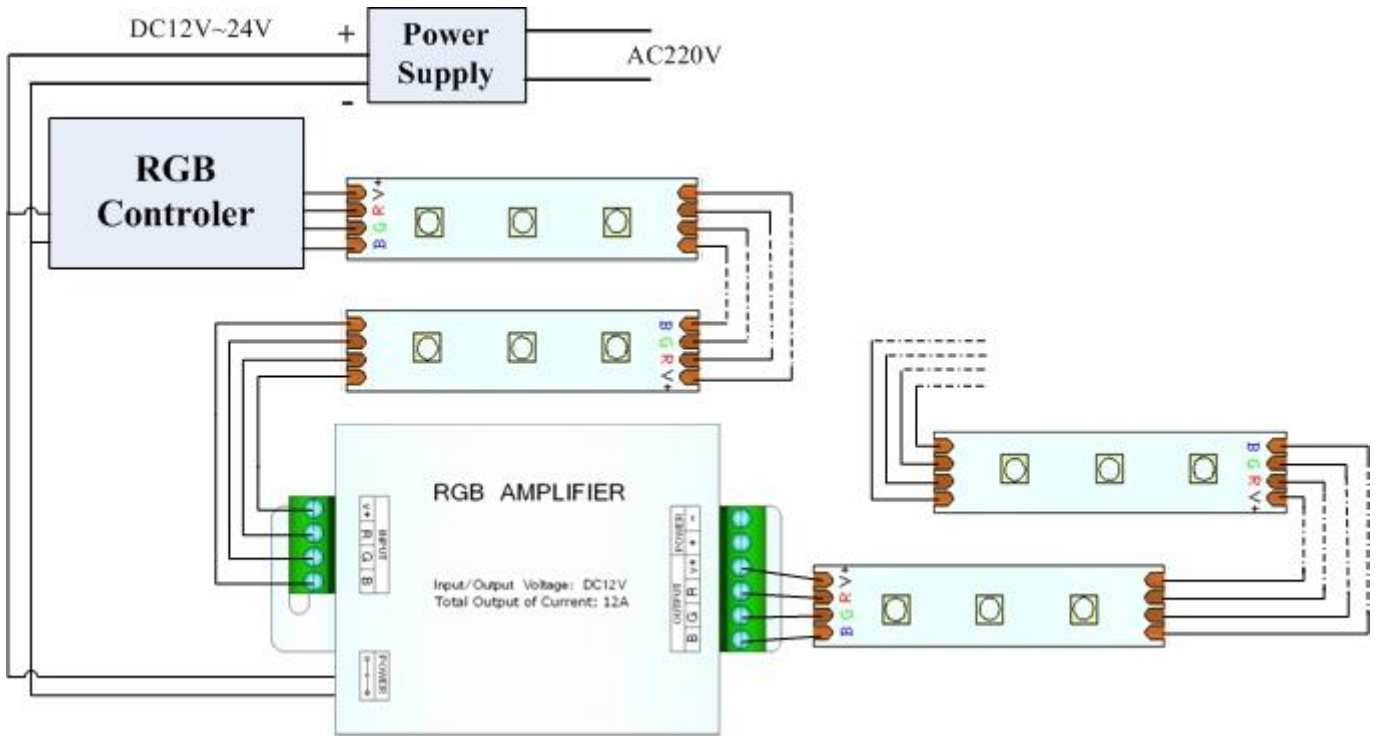
The RGB amplifier is used to receive RGBW signals from the controller and send the signal to another group of LED source.

TECHINAL PARAMETERS

- Working temperature: -20~+60°C
- Input voltage: DC12~24V
- Output: 3 circuit
- Static power consumption: <1W
- Output current: <4A/CH
- Output power: 12V/4A < 144W ; 24V/4A< 288W

DIRECTION FOR USE:

- Connect the input and output wire in sequence according to the specification on the label of the amplifier.
- Make sure that no short circuit phenomenon, then connect the amplifier to the DC12V/24V power supply and use with the led light , the wiring diagram are as follows:



CAUTIONS

- This products Input voltage is DC12-24V. Other input voltages are not allowed.
- Lead wire should be connected correctly and according to the wire color and the connecting diagram offers.
- Overloads are prohibited.