



WEEE Number: 80133970

INSTALLATION INSTRUCTION LED FLOODLIGHT



5 YEARS WARRANTY

V-TAC SUPER PRO

provided by SAMSUNG

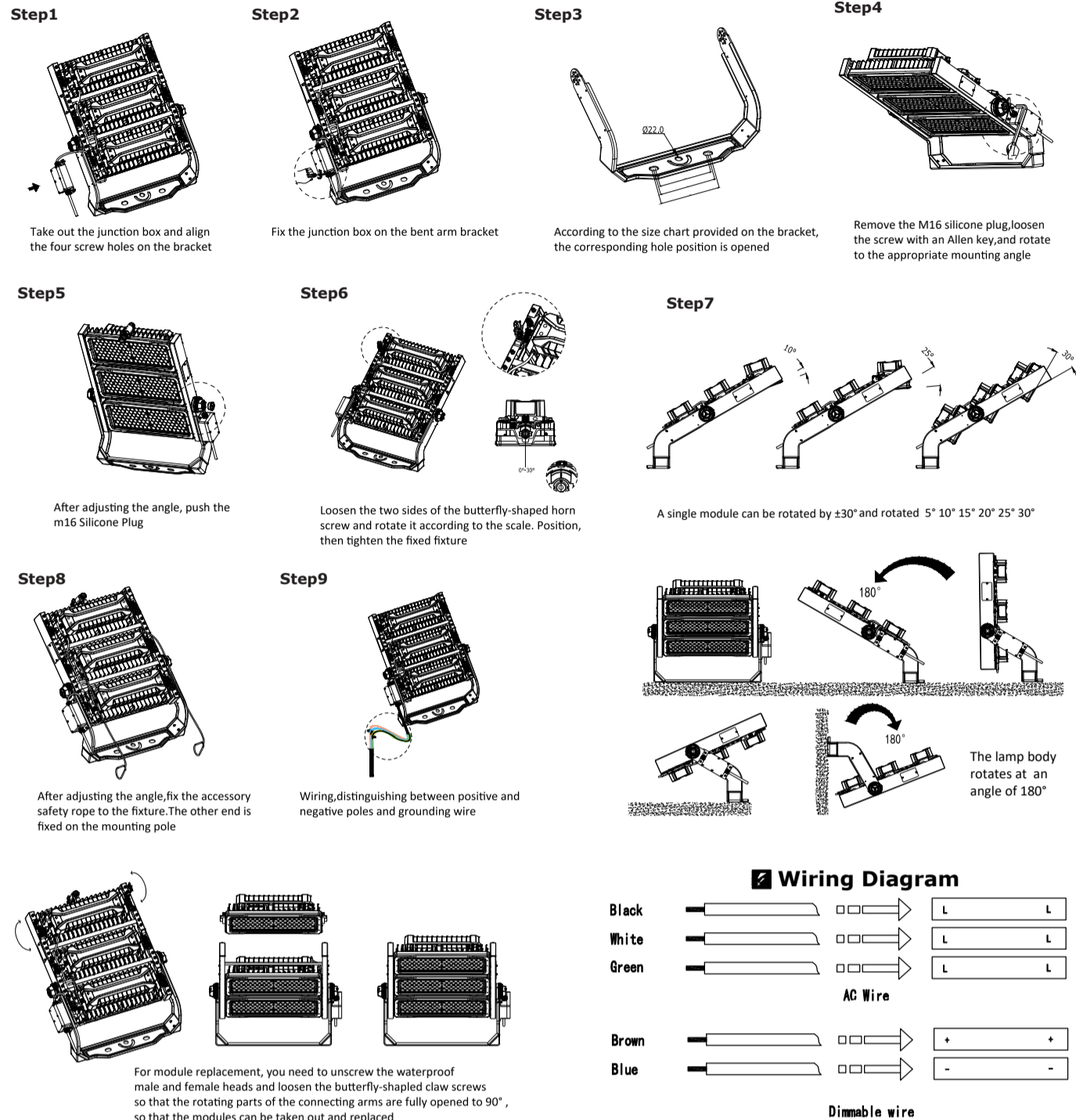
MW MEAN WELL POWER SUPPLY

TECHNICAL DATA:

Table with 12 columns: MODEL NO, WATTS, BEAM ANGLE, LUMENS, INPUT VOLTAGE, COLOR TEMP., LIFE HOURS, On/Off Time, CRI, DIMENSION, IP Rating. Rows include models VT-253D, VT-252D, VT-503D, VT-502D, VT-1003D, and VT-1002D.



INSTALLATION DIAGRAM:



INTRODUCTION & WARRANTY

Thank you for selecting and buying V-TAC product. V-TAC will serve you the best. Please read these instructions carefully before starting the installation and keep this manual handy for future reference.

The warranty is valid for 5 years from the date of purchase. The warranty does not apply to damage caused by incorrect installation or abnormal wear and tear.

INSTALLATION INSTRUCTION

- Step 1: Take out the junction box and align the four screw holes on the bracket.
Step 2: Fix the junction box on the bent arm bracket.
Step 3: According to the size chart provided on the bracket, the corresponding hole position is opened.

INTRODUCTION & GARANTIE

Merci d'avoir choisi le produit à V-TAC. V-TAC vous offrira le meilleur. Veuillez lire attentivement ces instructions avant de commencer l'installation et conservez ce manuel à portée de main pour référence ultérieure.

UPOV I JAMSTVO

Naša vam, što se odnosi i kupiti svojstvu tvrde V-Tak (V-TAC), V-Tak (V-TAC) je vam poslužiti na najbolji mogući način.

INTRODUCTION & WARRANTY

Thank you for selecting and buying V-TAC product. V-TAC will serve you the best. Please read these instructions carefully before starting the installation and keep this manual handy for future reference.

INSTALLATION INSTRUCTION

- Step 1: Take out the junction box and align the four screw holes on the bracket.
Step 2: Fix the junction box on the bent arm bracket.
Step 3: According to the size chart provided on the bracket, the corresponding hole position is opened.

INTRODUCTION & GARANTIE

Merci d'avoir choisi le produit à V-TAC. V-TAC vous offrira le meilleur. Veuillez lire attentivement ces instructions avant de commencer l'installation et conservez ce manuel à portée de main pour référence ultérieure.

UPOV I JAMSTVO

Naša vam, što se odnosi i kupiti svojstvu tvrde V-Tak (V-TAC), V-Tak (V-TAC) je vam poslužiti na najbolji mogući način.

INTRODUCTION & WARRANTY

Thank you for selecting and buying V-TAC product. V-TAC will serve you the best. Please read these instructions carefully before starting the installation and keep this manual handy for future reference.

INSTALLATION INSTRUCTION

- Step 1: Take out the junction box and align the four screw holes on the bracket.
Step 2: Fix the junction box on the bent arm bracket.
Step 3: According to the size chart provided on the bracket, the corresponding hole position is opened.

BEVEZETÉS ÉS GARANCIA

Köszönjük, hogy választotta és megvásárolta a V-TAC terméket. V-TAC nyújtja Önnek a legjobb szolgáltatást. Kérjük, a szerelés előtt figyelmesen olvassa el ezeket az utasításokat és őrizze ezt a kezelési kézikönyvet használatára.

A Jótállás a vásárlás napjától számítás 5 évig érvényes. A garancia nem vonatkozik a helytelen szerelés vagy a szabványos kopás okozta károkokra.

FELSZERELÉSI UTASÍTÁS

- 1. lépés: Vegye ki a csatlakozódobozt, és illesse a négy csavaros nyílást a tartóba.
2. lépés: Rögzítse a csatlakozódobozt a hajlított karra.
3. lépés: A konzekvont feltüntetett mértéktáblázat szerinti a megfelelő lyuk helyezze ismert.

INTRODUCTION & GARANTIE

Merci d'avoir choisi le produit à V-TAC. V-TAC vous offrira le meilleur. Veuillez lire attentivement ces instructions avant de commencer l'installation et conservez ce manuel à portée de main pour référence ultérieure.

UPOV I JAMSTVO

Naša vam, što se odnosi i kupiti svojstvu tvrde V-Tak (V-TAC), V-Tak (V-TAC) je vam poslužiti na najbolji mogući način.

INTRODUCTION & WARRANTY

Thank you for selecting and buying V-TAC product. V-TAC will serve you the best. Please read these instructions carefully before starting the installation and keep this manual handy for future reference.

INSTALLATION INSTRUCTION

- Step 1: Take out the junction box and align the four screw holes on the bracket.
Step 2: Fix the junction box on the bent arm bracket.
Step 3: According to the size chart provided on the bracket, the corresponding hole position is opened.

ΕΙΣΑΓΩΓΗ - ΕΓΓΥΗΤΗ

Σας ευχαριστούμε για την επιλογή και αγορά του φωτιστικού προϊόντος της V-TAC (V-TAC). Η V-TAC (V-TAC) θα σας εξυπηρετήσει με τον καλύτερο δυνατό τρόπο.

Η εγγύηση ισχύει για περίοδο 5 ετών από την ημερομηνία της αγοράς. Η εγγύηση δεν εφαρμόζεται σε ζημιές που προκύπτουν λόγω ελαττώσεων ή κακής χρήσης.

ΟΔΗΓΙΕΣ ΓΙΑ ΤΗΝ ΤΟΠΟΘΕΤΗΣΗ

- Βήμα 1: Βγάλτε το κουτί σύνδεσης και ευθυγράμμιση τα τέσσερα οπές για τα βίδες στον άρκα.
Βήμα 2: Στερεώστε το κουτί σύνδεσης στον άρκα με τις βίδες.
Βήμα 3: Σύμφωνα με το μέγεθος του οπής που ενοχλείται, ούνο στο άνω μέρος πρέπει να γίνει το άνοιγμα που να αντιστοιχίσει στη θέση.

INTRODUCTION & GARANTIE

Merci d'avoir choisi le produit à V-TAC. V-TAC vous offrira le meilleur. Veuillez lire attentivement ces instructions avant de commencer l'installation et conservez ce manuel à portée de main pour référence ultérieure.

UPOV I JAMSTVO

Naša vam, što se odnosi i kupiti svojstvu tvrde V-Tak (V-TAC), V-Tak (V-TAC) je vam poslužiti na najbolji mogući način.

INTRODUCTION & WARRANTY

Thank you for selecting and buying V-TAC product. V-TAC will serve you the best. Please read these instructions carefully before starting the installation and keep this manual handy for future reference.

INSTALLATION INSTRUCTION

- Step 1: Take out the junction box and align the four screw holes on the bracket.
Step 2: Fix the junction box on the bent arm bracket.
Step 3: According to the size chart provided on the bracket, the corresponding hole position is opened.

INTRODUCERE, GARANTIA

Vă mulțumim că ați ales și cumpărat acest produs de iluminat cu diodă al V-TAC. V-TAC vă va fi un mare folos, utilizându-l în moduli cu mai multă încredere. Vă rugăm să citiți aceste instrucțiuni cu atenție, înainte să începeți instalarea, și să păstrați-le pentru că s-ar putea să fie necesare să le reciteți.

INTRODUCERE, GARANTIE

Naša vam, što se odnosi i kupiti svojstvu tvrde V-Tak (V-TAC), V-Tak (V-TAC) je vam poslužiti na najbolji mogući način.

INTRODUCTION & WARRANTY

Thank you for selecting and buying V-TAC product. V-TAC will serve you the best. Please read these instructions carefully before starting the installation and keep this manual handy for future reference.

INSTALLATION INSTRUCTION

- Step 1: Take out the junction box and align the four screw holes on the bracket.
Step 2: Fix the junction box on the bent arm bracket.
Step 3: According to the size chart provided on the bracket, the corresponding hole position is opened.

INTRODUCERE, GARANTIA

Vă mulțumim că ați ales și cumpărat acest produs de iluminat cu diodă al V-TAC. V-TAC vă va fi un mare folos, utilizându-l în moduli cu mai multă încredere. Vă rugăm să citiți aceste instrucțiuni cu atenție, înainte să începeți instalarea, și să păstrați-le pentru că s-ar putea să fie necesare să le reciteți.

INTRODUCERE, GARANTIE

Naša vam, što se odnosi i kupiti svojstvu tvrde V-Tak (V-TAC), V-Tak (V-TAC) je vam poslužiti na najbolji mogući način.

INTRODUCTION & WARRANTY

Thank you for selecting and buying V-TAC product. V-TAC will serve you the best. Please read these instructions carefully before starting the installation and keep this manual handy for future reference.

INSTALLATION INSTRUCTION

- Step 1: Take out the junction box and align the four screw holes on the bracket.
Step 2: Fix the junction box on the bent arm bracket.
Step 3: According to the size chart provided on the bracket, the corresponding hole position is opened.

In case of any query/issue with the product, please reach out to us at: support@v-tac.eu

For More products range, inquiry please contact our distributor or nearest dealers. V-TAC EUROPE LTD Bulgaria, Plovdiv 4000, bul.L.Karavelyov 9B