



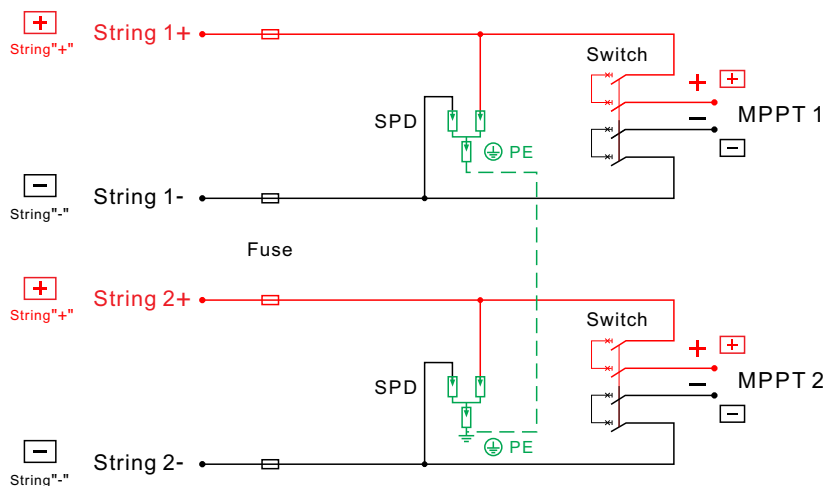
Solar DC String Box

2 Strings Input 2 Strings Output DC



General Data		PV Surge Protector	SLP-PV1000-(S)
Model No.	SLP-2/2-1000V	Max Operation Voltage (Ucpv)	1000V
Input	2 strings	Standard Compliance with	IEC/EN 61643-31
Output	2 strings	Maximum Discharge Current	40kA
Maximum Voltage	1000V	Certification	TUV, CE
Max DC Short Circuit Current Per Input (Isc)	16A (Changeable)		
Maximum Current Output	16A		
Enclosure		DC fuse holder	LSP-PV-32H
Material Type	Polycarbonate/ABS	Thermoplastic	Yes
Degree of Protection	IP65	Standard Compliance with	IEC 60269-6
Degree of Resistance to Impacts	IK08	Rated Working Voltage	1000V
Dimension (WxHxD)	273 x 365 x 118mm	Fuse Link	10x38mm, 16A (Changeable)
Cable input Entry	PG09 Cable Gland, 2.5-16mm ²	Certification	CE
Output Cable Gland	PG21 2.5-16mm ²		
DC Circuit Breakers		Environment	
Rated Insulation Voltage (Ui)	1000V	Operating Temperature	-20 °C to +60 °C
Rated Current (Ie)	16A (Changeable)	Humidity	99%
Category	DC-Breaker	Altitude	2000M
Standard Compliance with	IEC/EN 60947-2	Installation	Wall Mounting
Certification	CE		

SLP-2/2-1000V





Solar DC String Box

3 Strings Input 3 Strings Output DC



General Data		PV Surge Protector	SLP-PV1000-(S)
Model No.	SLP-3/3-1000V	Max Operation Voltage (Ucpv)	1000V
Input	3 strings	Standard Compliance with	IEC/EN 61643-31
Output	3 strings	Maximum Discharge Current	40kA
Maximum Voltage	1000V	Certification	TUV, CE
Max DC Short Circuit Current Per Input (Isc)	16A (Changeable)		
Maximum Current Output	16A		
Enclosure		DC fuse holder	LSP-PV-32H
Material Type	Polycarbonate/ABS	Thermoplastic	Yes
Degree of Protection	IP65	Standard Compliance with	IEC 60269-6
Degree of Resistance to Impacts	IK08	Rated Working Voltage	1000V
Dimension (WxHxD)	381 x 365 x 118mm	Fuse Link	10x38mm, 16A (Changeable)
Cable input Entry	PG09 Cable Gland, 2.5-16mm ²	Certification	CE
Output Cable Gland	PG21 2.5-16mm ²		
DC Circuit Breakers		Environment	
Rated Insulation Voltage (Ui)	1000V	Operating Temperature	-20 °C to +60 °C
Rated Current (Ie)	16A (Changeable)	Humidity	99%
Category	DC-Breaker	Altitude	2000M
Standard Compliance with	IEC/EN 60947-2	Installation	Wall Mounting
Certification	CE		

SLP-3/3-1000V

